

TACOFLOW2 PURE (C)

DHW CIRCULATION PUMPS FOR POTABLE WATER SYSTEMS



DHW circulation pumps for domestic hot water systems in residential and commercial buildings.

DESCRIPTION

The TacoFlow2 PURE (C) is driven by permanent-magnet synchronous motors.

These innovative motors achieve a high efficiency at low operating costs.

They are maintenance-free and do not need replacement of seals and gaskets.

INSTALLATION POSITION

The pump can be installed both horizontally or vertically.

The arrow indicating the medium's flow direction must be observed.

ADVANTAGES TACOFLOW2 PURE C

- Efficient throughput setting with fixed Min-Max speed
- Media temperature range from +2 °C to +95 °C
- A colour LED indicates the current operating state (PURE C)
- Suitable for use in domestic hot water systems

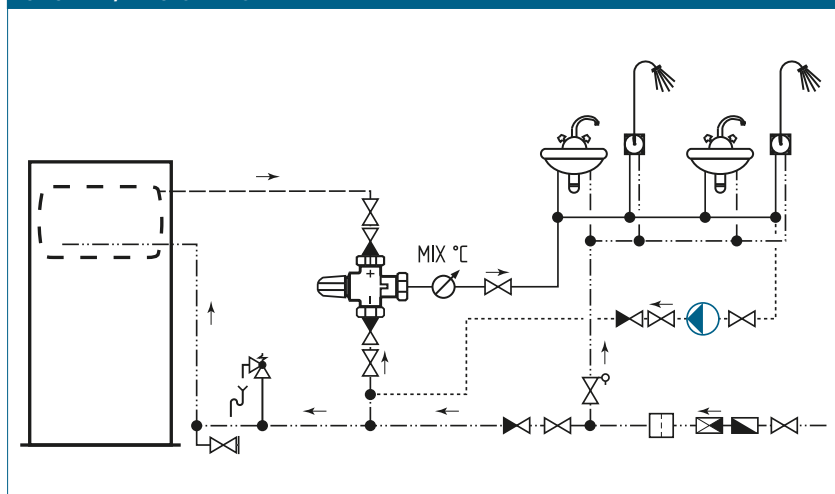
OPERATION

The circulation pump are of a glandless design, since the rotating parts of the motor run inside the pumped medium. This provides lubrication for the motor and the rotating parts. The circulation pump is equipped with anti-blocking protection, since the high efficiency pumps no longer have a pump head screw for manual unblocking. They also feature an automatic venting function, which detects and indicates any air in the pump.

BUILDING CATEGORIES

- Apartment blocks, single family dwellings, housing estates, multiple dwelling units
- Smaller public buildings
- Facilities with partial use, such as barracks, camping sites

SYSTEM/BASIC DIAGRAM



TACOFLOW2 PURE (C) | DHW CIRCULATION PUMPS FOR POTABLE WATER SYSTEMS

SPECIFICATION TEXT

See www.taconova.com

TECHNICAL DATA

Pump

- Ambient temperature: +0 °C to +40 °C
- Permissible temperature range*: +2 °C to +95 °C
- Permissible temperature ranges at max. ambient temperature:
 - at 30 °C: +30 °C to +95 °C
 - at 35 °C: +35 °C to +90 °C
 - at 40 °C: +40 °C to +70 °C
- Static pressure: Max. 1.0 MPa - 10 bar
- Minimum pressure at air intake:
 - 0.03 MPa (0.3 bar) at 50 °C
 - 0.10 MPa (1.0 bar) at 95 °C
- Max. relative humidity: ≤ 95%
- Sound pressure level: <43 dB (A)
- Low Voltage Directive (2006/95/EC): Standards applied: EN 62233, EN 60335-1 and EN 60335-2-51
- EMC Directive (2004/108/EC); Standards applied: EN 61000-3-2, EN 61000-3-3, EN 55014-1 and EN 55014-2
- Hydraulic unit certifications: ICIM (IT), KTW (DE), DVGW W270 (DE), ACS (FR), WRAS (GB)

Material

- Pump body: Composite plastic PA 6T/6I GF
- Impeller: Composite plastic
- Shaft: Ceramic
- Bearing: Graphite
- Axial thrust bearing: Ceramic
- Can: Composite plastic

* To prevent condensate in the motor and on the control electronics, the temperature of the pumped medium must always be higher than the ambient temperature.

TECHNICAL DATA (CONTINUED)

Motor and electronics

- Supply voltage: 1x230 V (±10%); frequency: 50/60 Hz
- Pump power plug
- Power rating (P1): Min. 4.3 W, max. 40 W
- Rated current (I1): Min. 0.03 A, max. 0.32 A
- Insulation class: H
- Protection rating: IP 44
- Safety category: II

TECHNICAL DATA (CONTINUED)

Fluids

- Drinking water < 20° dH

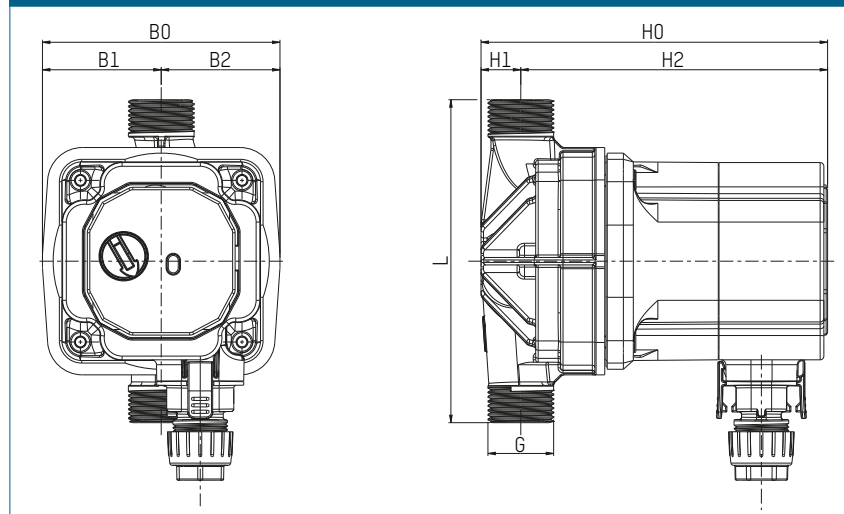
TYPE OVERVIEW

TacoFlow2 PURE C | DHW circulation pumps for potable water systems
High efficiency electronic DHW circulation pump made of composite plastic, glandless design with permanent magnet synchronous motor, inverter control and plug connection.

Pump head: 4 m

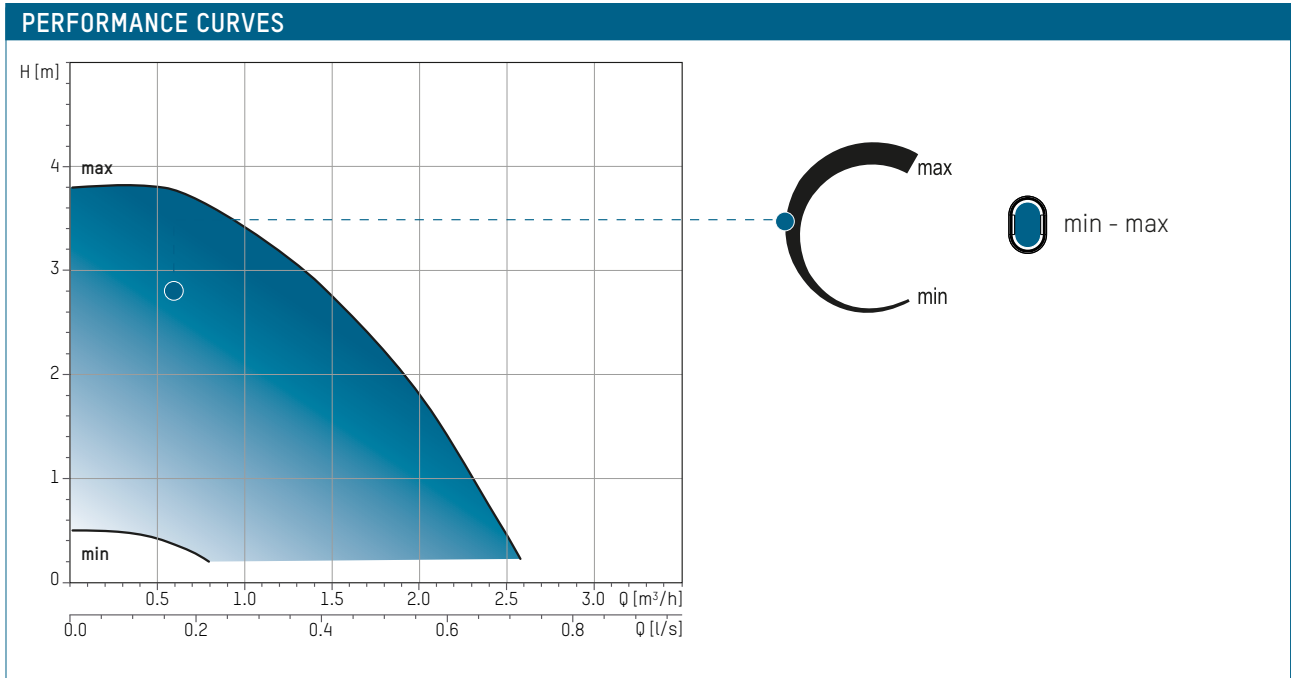
Order no.	Designation	G	Centre distance	Weight
302.1126.000	PURE C 10-40/130	¾"	130 mm	1,47 kg
302.2126.000	PURE C 15-40/130	1"	130 mm	1,47 kg

DIMENSIONAL DRAWING



MEASUREMENT TABLE

Order no.	L	B0	B1	B2	H0	H1	H2
302.1126.000	130	95,6	47,8	47,8	139	16	123
302.2126.000	130	95,6	47,8	47,8	139	16	123



TACOFLOW2 PURE (C) | DHW CIRCULATION PUMPS FOR POTABLE WATER SYSTEMS

SPECIFICATION TEXT

See www.taconova.com

TECHNICAL DATA

Pump

- Ambient temperature: +0 °C to +40 °C
- Permissible temperature range: +5 °C to +65 °C
- Static pressure: Max. 1.0 MPa - 10 bar
- Maximum flow rate:
 - PURE 15-10/65: 700 l/h
 - PURE 20-09/110: 650 l/h
- Control: 3 constant characteristic curves, anti-blocking function

Material

- Pump body: brass

Motor and electronics

- Supply voltage: 1x230 V; frequency: 50 Hz
- No external motor protection required
- Protection rating: IP 42
- Special equipment for PURE 20-09/110: ball valve, gravity brake

Fluids

- Drinking water < 20° dH

TYPE OVERVIEW

TacoFlow2 PURE | DHW circulation pumps for potable water systems
DHW circulation pump in glandless design with brass pump housing, insulation shell and plug connection.

Pump head: 1 m.

Order no.	Designation	Rp	Centre distance	Weight
302.2316.000	PURE 15-10/65	½"	65 mm	0,985 kg
302.2317.000*	PURE 15-10/65	½"	65 mm	0,985 kg

TacoFlow2 PURE | DHW circulation pumps for potable water systems
DHW circulation pump in glandless design with brass pump housing, insulation shell and plug connection.

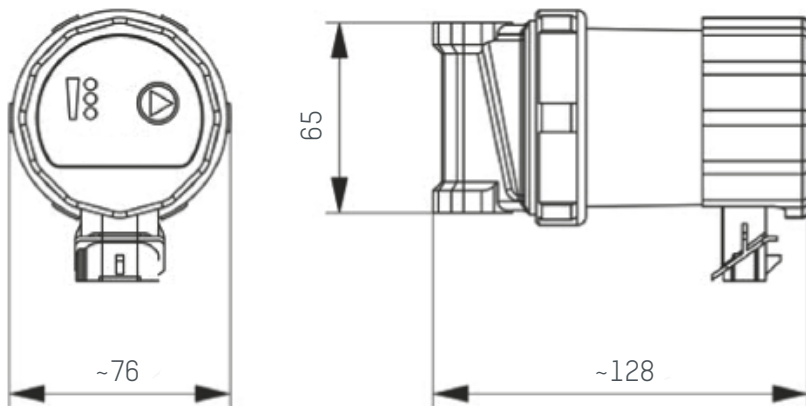
Pump head: 0.9m.

Order no.	Designation	G	Centre distance	Weight
302.3316.000	PURE 20-09/110	1 ¼"	110 mm	1,25 kg
302.3317.000*	PURE 20-09/110	1 ¼"	110 mm	1,25 kg

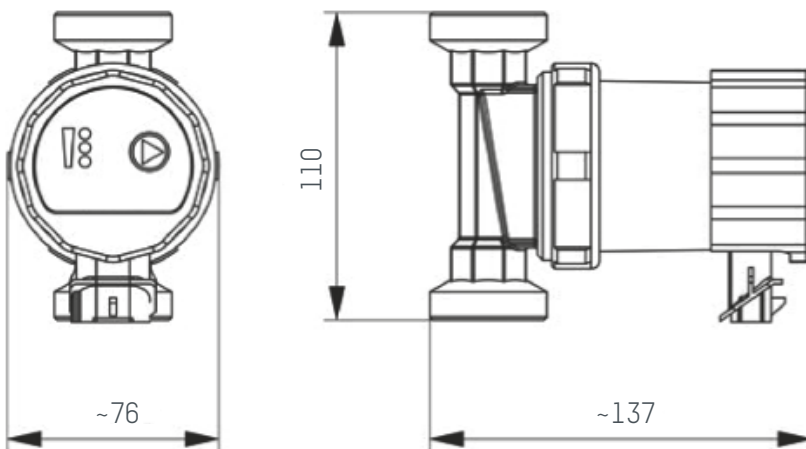
* With time switch

DIMENSIONAL DRAWING

PURE 15-10/65

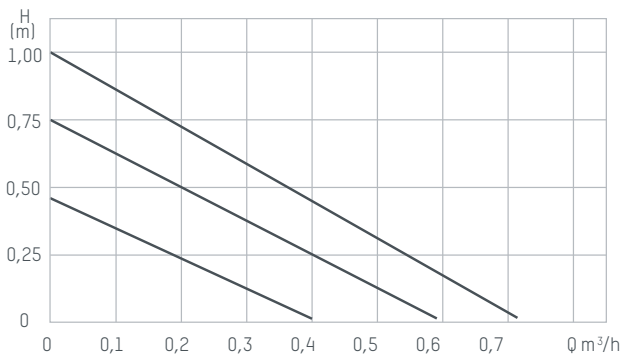


PURE 20-09/110

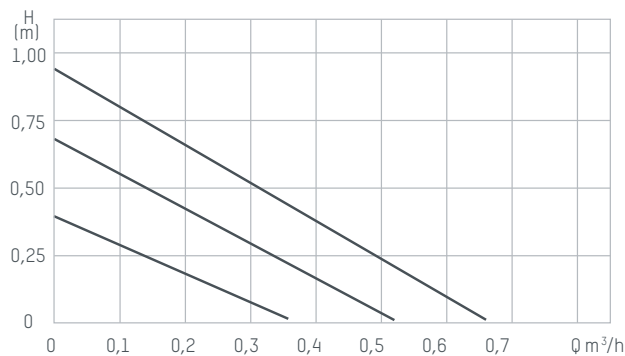


PERFORMANCE CURVES

PURE 15-10/65



PURE 20-09/110



Cerbo

küttesüsteemid • müük • paigaldus • hooldus

tel +372 442 0222 / +372 434 1000 • www.cerbo.ee • info@cerbo.ee

Subject to modification. 01/2020

CONTACT AND FURTHER INFORMATION

TACONOVA.COM

Taconova Group AG | Neunbrunnenstrasse 40 | CH-8050 Zurich | T +41 44 735 55 55 | F +41 44 735 55 02 | group@taconova.com