



**reventon**  
INDUSTRIAL SOLUTIONS

## Technical documentation

AIR WATER HEATERS IN EPP CASING FARMER HCF SERIES

**MODELS:**

FARMER HCF IP54-3S  
FARMER HCF IP65



- 1. INTRODUCTION
  - 1.1 PRECAUTIONS
  - 1.2 TRANSPORT
  - 1.3 PACKAGE CONTENT
  - 1.4 USE
- 2. DEVICE CHARACTERISTICS
  - 2.1 INTERNATIONAL PROTECTION DEGREE IP
  - 2.2 CONSTRUCTION AND PRINCIPLE OF OPERATION
  - 2.3 ANTI-CORROSION COATING
  - 2.4 DEVICE DIMENSIONS
  - 2.5 DEVICE TECHNICAL DATA
- 3. ASSEMBLY
  - 3.1 GENERAL PRINCIPLES
  - 3.2 ROTATING MOUNTING BRACKET
- 4. INSTALLATION INSTRUCTIONS
  - 4.1 CONNECTION OF THE DEVICE TO THE HYDAULIC SYSTEM
  - 4.2 CONNECTION OF THE DEVICE TO THE ELECTRICAL SYSTEM
- 5. PRECAUTIONS & WARNINGS
- 6. CONTROLS
- 7. CONNECTION SCHEMES
- 8. TERMS OF WARRANTY

**1. INTRODUCTION**

Thank you very much for purchasing air water heater FARMER HCF. We would like to congratulate you on excellent choice. Please read and keep this manual.

**1.1 PRECAUTIONS**

The buyer and the user of the air water heater Reventon Group brand should read carefully the following instructions and proceed to the content recommendations. Proceeding due to the following instruction guarantees the correct usage and safety. In case of any doubts please contact directly the producer Reventon Group sp. z o. o. [Ltd.]. The producer reserves the rights to make changes to the technical documentation without previous notice. Reventon Group sp. z o. o. [Ltd.] is not responsible for the damages which occur due to improper installation, not keeping the device in repair or using the device out of line. The installation should be carried out by the professional installers, who possess the qualifications to install these types of devices. The installers are responsible for making the installation as instructed in the technical data. In case of unserviceable please plug out the device and contact with the authorized for repair person or the supplier. During the installation, use, service and periodical inspections all regulations and safety rules must be followed.

**1.2 TRANSPORT**

During the acceptance of goods, it is needed to check the device to exclude any damages. During the transport, it is needed to use the proper equipment, it is necessary to carry the device by two people. In case of any damages please fill in the damage report in presence of the supplier.

**1.3 PACKAGE CONTENT**

- heater
- operation and maintenance manual and warranty card

**1.4 USE**

Reventon Group Farmer HCF heating devices are designed for heating or cooling surfaces in which aggressive conditions prevail, i.e. high content of acids, ammonia and high concentration of dust. However, heaters should not be used in highly corrosive environments for aluminum, copper and steel. The devices should also not be installed in rooms where they would be exposed to the high humidity or direct water action, exceeding the fan's resistance to water penetration (see IP protection degree).

**2. DEVICE CHARACTERISTICS**

**2.1 INTERNATIONAL PROTECTION DEGREE IP**

Determines the tightness of the electrical device (fan motor), which is defined by two digits:

- **first characteristic digit** - specifies protection of the device against access to dangerous parts as well as against penetration of solids
- **second characteristic digit** - determines the resistance of the engine to the water ingress, its waterproofness

Fan motors of the Farmer HCF series have following IP:

**Farmer HCF IP54-3S**

- 5 - protection against access to hazardous parts by wire with a diameter of 1 mm or more and against dust in quantities which might impair the proper functioning of the equipment;
- 4 - protection against splashes of the water from any direction.

**Farmer HCF Ip65**

- 6 - protection against access to hazardous parts by wire with a diameter of 1 mm or more and against dust (total dust tightness);
- 5 - protection against stream of the water (12.5 l/min) from any direction

**2.2 CONSTRUCTION AND PRINCIPLE OF OPERATION**

**Casing:** made of expanded polypropylene (EPP). This material is characterized by low density (light weighted) and high chemical and physical resistance. It has an excellent sound and thermal insulation properties. Moreover, material is environmentally friendly and "green", i.e. 100% recyclable.

**Air stators:** made of polypropylene PP. It is possible to adjust manually the air stators to achieve the needed direction of the air flow. There are also versions with confusor (increased airflow range) or with diffuser 360° (better mixing of supplied and room air).

**Heating coil:** made of copper and aluminum. It is covered by epoxy coating. Supplied by distribution medium (heating or cooling), which circulates through the coil and releases or extracts heat from the air. The coil has the following technical parameters: the maximum temperature of the heating factor is 120°C; maximum pressure 1.6 MPa; headers diameter 3/4". Farmer HCF series have a double row heat exchanger.

**Axial blowing fan IP54 (Farmer HCF IP54-3S):** made of galvanized steel. Fan has to ensure air flow through the exchanger. It has a single- and three phase motor with the following parameters: protection degree IP54, rate current 0.7-1.08 A (depending on the operating mode). Diameter of the fan is 450 mm.

**Axial blowing fan IP65 (Farmer HCF Ip65):** protective grid made of galvanized steel, blades and casing made of plastic. Fan has to ensure air flow through the exchanger. It has a single-, three phase motor with the following parameters: protection degree IP65, rated current 2A. Diameter of the fan is 450 mm.

**Rotating mounting bracket (optional equipment):** enables the device to be installed in several configurations (depending on the requirements) and the unit to be rotated in a horizontal plane.

**2.3 ANTI-CORROSION COATING**

The heat exchangers from FARMER series heaters are covered with an additional epoxy coating. It protects metal surfaces against the negative influence of humid, salt and acid environments.

The table below provides information about the resistance of the coating against various compounds:

COMPOUND	IMMUNITY
Trichlorethylene	Excellent/Good
Methyl Ethyl Ketone (MEK)	100 ppm
Acids (2% HCL, 2% H <sub>2</sub> SO <sub>4</sub> )	Excellent/Good
Salt spray	Excellent/Good
Steam (121°C/30 min)	Excellent

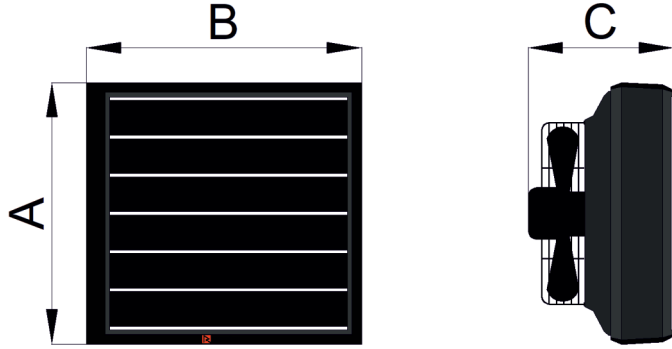
## 2.4 DEVICE DIMENSIONS

- HCFIP54-3S:

- height (A): 698 mm
- width (B): 739 mm
- depth (C): 360 mm

- HCFIP65:

- height (A): 698 mm
- width (B): 739 mm
- depth (C): 430 mm



## 2.5 DEVICE TECHNICAL DATA

TECHNICAL DATA Product code		FARMER HCF IP54-3S WHHCF47-3S-1765	FARMER HCF IP65 WHHCF53-1527
Nominal heating capacity [kW] *	III STAGE	44.3	50.2
	II STAGE	32.5	n/a
	I STAGE	26.5	n/a
Heating capacity range [kW]		3.87-58.5**	7.01-66.2***
Maximum airflow [m³/h]	III STAGE	4000	5000
	II STAGE	2400	n/a
	I STAGE	1750	n/a
Maximum horizontal range [m]		21	24
Number of rows [pcs.]		2	2
Capacity of water [dm³]		1.95	1.95
Maximum temperature of working fluid [°C]		120	120
Maximum working pressure [MPa]		1.6	1.6
Connection diameter ["]		3/4	3/4
Supply voltage [V] / Supply frequency [Hz]		230/50	230/50
Rated motor current [A]	III STAGE	1.08	2
	II STAGE	0.86	n/a
	I STAGE	0.70	n/a
Motor speed [rpm]	III STAGE	1360	1380
	II STAGE	1050	n/a
	I STAGE	750	n/a
Motor power [W]	III STAGE	240	470
	II STAGE	190	n/a
	I STAGE	160	n/a
Protection degree IP [-]		54	65
Net weight [kg]		17.5	22.5
Noise [dB]****	III STAGE	59	63
	II STAGE	54	n/a
	I STAGE	50	n/a

n/a not applicable

\* for parameters 90/70°C and 0°C inlet air temperature

\*\* max. 120/90°C, 0°C inlet air temperature, III stage // min. 40/30°C, 20°C inlet air temperature, I stage

\*\*\* max. 120/90°C, 0°C inlet air temperature // min. 40/30°C, 20°C inlet air temperature

\*\*\*\* measurement at the distance 5 m

Parameters	FARMER HCF IP54-3S – 3 stage 4000 m³/h				
Supply/return water temperature [°C]	120/90				
Dry bulb air inlet temperature [°C]	0	5	10	15	20
Heating capacity [kW]	58.5	54.9	51.5	48.1	44.7
Dry bulb air outlet temperature [°C]	40.7	43.9	47.1	50.3	53.4
Water flow [m³/h]	1.73	1.62	1.52	1.42	1.32
Pressure drop in the heat exchanger [kPa]	13	12	10	9	8

Parameters	FARMER HCF IP54-3S – 3 stage 4000 m³/h				
Supply/return water temperature [°C]	90/70				
Dry bulb air inlet temperature [°C]	0	5	10	15	20
Heating capacity [kW]	44.3	40.9	37.6	34.3	31.1
Dry bulb air outlet temperature [°C]	30.8	33.9	37.1	40.2	43.2
Water flow [m³/h]	1.95	1.80	1.66	1.51	1.37
Pressure drop in the heat exchanger [kPa]	17	15	12	11	9

Parameters	FARMER HCF IP54-3S – 3 stage 4000 m³/h				
Supply/return water temperature [°C]	80/60				
Dry bulb air inlet temperature [°C]	0	5	10	15	20
Heating capacity [kW]	38.0	34.7	31.5	28.3	25.2
Dry bulb air outlet temperature [°C]	26.5	29.6	32.7	35.7	38.8
Water flow [m³/h]	1.67	1.52	1.38	1.24	1.11
Pressure drop in the heat exchanger [kPa]	13	11	9	7	6

Parameters	FARMER HCF IP54-3S – 3 stage 4000 m³/h				
Supply/return water temperature [°C]	70/50				
Dry bulb air inlet temperature [°C]	0	5	10	15	20
Heating capacity [kW]	31.8	28.5	25.3	22.2	19.1
Dry bulb air outlet temperature [°C]	22.1	25.2	28.3	31.3	34.3
Water flow [m³/h]	1.39	1.25	1.11	0.97	0.84
Pressure drop in the heat exchanger [kPa]	9	8	6	5	4

Parameters	FARMER HCF IP54-3S – 3 stage 4000 m³/h				
Supply/return water temperature [°C]	50/30				
Dry bulb air inlet temperature [°C]	0	5	10	15	20
Heating capacity [kW]	19.1	16.0	12.9	9.92	6.92
Dry bulb air outlet temperature [°C]	13.3	16.3	19.3	22.3	25.2
Water flow [m³/h]	0.83	0.69	0.56	0.43	0.30
Pressure drop in the heat exchanger [kPa]	4	3	2	1	1

Parameters	FARMER HCF IP54-3S – 3 stage 4000 m³/h				
Supply/return water temperature [°C]	40/30				
Dry bulb air inlet temperature [°C]	0	5	10	15	20
Heating capacity [kW]	18.2	15.1	12.1	9.15	6.23
Dry bulb air outlet temperature [°C]	12.7	15.7	18.7	21.7	24.6
Water flow [m³/h]	1.58	1.31	1.05	0.79	0.54
Pressure drop in the heat exchanger [kPa]	13	9	6	4	2

Parameters	Farmer HCF IP 65 – 5000 m³/h				
Supply/return water temperature [°C]	120/90				
Dry bulb air inlet temperature [°C]	0	5	10	15	20
Heating capacity [kW]	66.2	62.2	58.3	54.5	50.7
Dry bulb air outlet temperature [°C]	36.9	40.3	43.6	47.0	50.3
Water flow [m³/h]	1.96	1.84	1.72	1.61	1.5
Pressure drop in the heat exchanger [kPa]	16	15	13	11	10

Parameters	Farmer HCF IP 65 – 5000 m³/h				
Supply/return water temperature [°C]	90/70				
Dry bulb air inlet temperature [°C]	0	5	10	15	20
Heating capacity [kW]	50.2	46.4	42.6	38.9	35.3
Dry bulb air outlet temperature [°C]	27.9	31.3	34.6	37.8	41.1
Water flow [m³/h]	2.21	2.04	1.88	1.71	1.56
Pressure drop in the heat exchanger [kPa]	21	18	16	13	11

Parameters	Farmer HCF IP 65 – 5000 m³/h				
Supply/return water temperature [°C]	80/60				
Dry bulb air inlet temperature [°C]	0	5	10	15	20
Heating capacity [kW]	43.1	39.3	35.6	32.0	28.5
Dry bulb air outlet temperature [°C]	24.0	27.3	30.6	33.8	37.0
Water flow [m³/h]	1.89	1.73	1.57	1.41	1.25
Pressure drop in the heat exchanger [kPa]	16	14	11	9	8

Parameters	Farmer HCF IP 65 – 5000 m <sup>3</sup> /h				
Supply/return water temperature [°C]	70/50				
Dry bulb air inlet temperature [°C]	0	5	10	15	20
Heating capacity [kW]	35.9	32.3	28.6	25.1	21.6
Dry bulb air outlet temperature [°C]	20.0	23.3	26.5	29.7	32.9
Water flow [m <sup>3</sup> /h]	1.57	1.41	1.25	1.1	0.95
Pressure drop in the heat exchanger [kPa]	12	10	8	6	5

Parameters	Farmer HCF IP 65 – 5000 m <sup>3</sup> /h				
Supply/return water temperature [°C]	50/30				
Dry bulb air inlet temperature [°C]	0	5	10	15	20
Heating capacity [kW]	21.5	18.0	14.5	11.1	7.73
Dry bulb air outlet temperature [°C]	12.0	15.2	18.4	21.5	24.6
Water flow [m <sup>3</sup> /h]	0.93	0.78	0.63	0.48	0.34
Pressure drop in the heat exchanger [kPa]		3			

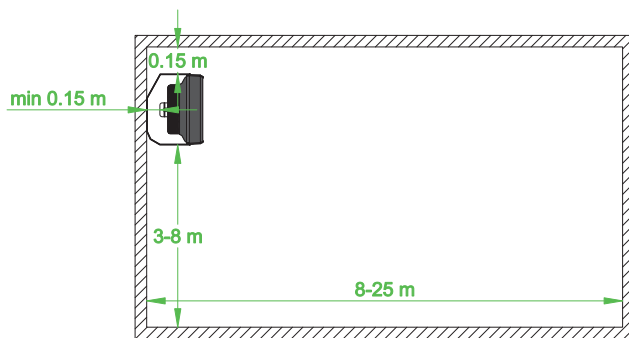
Parameters	Farmer HCF IP 65 – 5000 m <sup>3</sup> /h				
Supply/return water temperature [°C]	40/30				
Dry bulb air inlet temperature [°C]	0	5	10	15	20
Heating capacity [kW]	20.6	17.1	13.7	10.3	7.01
Dry bulb air outlet temperature [°C]	11.5	14.7	17.9	21.1	24.2
Water flow [m <sup>3</sup> /h]	1.79	1.48	1.18	0.89	0.61
Pressure drop in the heat exchanger [kPa]	16				

### 3. ASSEMBLY

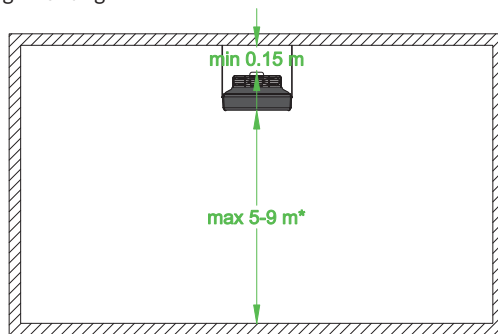
#### 3.1. GENERAL PRINCIPLES

During installation, ensure a free air flow to the device and do not restrict the air stream supply. The figures below show the recommended distances between the heater and building partitions:

a) in case of wall mounting

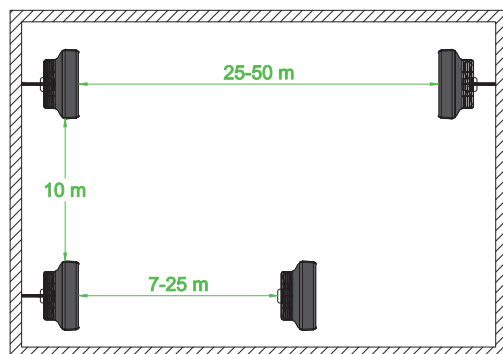


b) in case of ceiling mounting



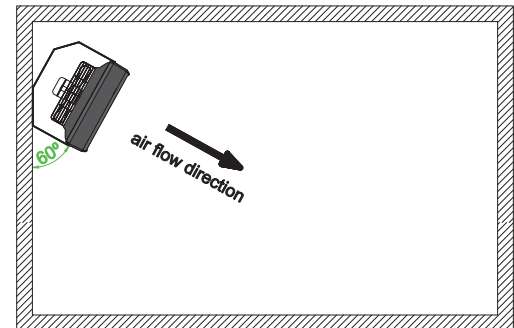
\* the maximum vertical range depends on the model

In case of higher heat demand, more units can be installed in the room. In order to ensure proper air flow, it is necessary to maintain the recommended distances between the heaters, as shown in the following figure.



#### 3.2. ROTATING MOUNTING BRACKET

The Reventon Group Farmer HCF series devices can be assembled using a rotating mounting bracket. It enables the heaters installation on the wall or ceiling, depending on the required optimal direction of airflow.



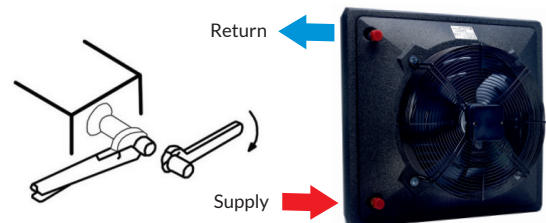
### 4. INSTALLATION INSTRUCTIONS

#### 4.1. CONNECTION OF THE DEVICE TO THE HYDAULIC SYSTEM

- pipes should be connected as indicated on the heater (supply from below, return from above)

- connecting the device to the hydraulic installation, do remember to hold the connectors by pipes spanner

Not keeping to the recommendation may cause the damages of the heating coil.



- it is recommended to use filter on the water supply pipe

- it is recommended to use the following valves:

- vent valve in the highest place on the hydraulic installation
- cut off valve on the supply and return pipes of the device

- installation has to be secured against excessive increase of pressure

- it is recommended to check the leak tightness of the hydraulic system before plugging the electric supply

#### 4.2. CONNECTION OF THE DEVICE TO THE ELECTRICAL SYSTEM

- all works concerning electrical installation should be made by the qualified personnel (who possess required authorizations to install electrical equipment), based on wiring schematic diagrams (see 7)

- the electrical installation of the building shall have a residual current device

- it is recommended to check the electric installation and controls before the first start

### 5. PRECAUTIONS & WARNINGS

The precautions mentioned below must be strictly followed during operation of the device:

- all works concerning electrical installation (disassembly, repair etc.) should be made by the qualified staff, who possess the qualifications due to the domestic and local norms, regarding electrical installations

- before service or exchange of the device it is obligatory to cut off the current supply

- do not limit or cover the inlet and outlet of the device

- do not install, service the device with wet hands or barefoot

- the device should be kept out of reach of children and animals

- the device does not consist of the anti-frost protection - the temperature in the room, where device is installed, should not go below 0°C; if such situation could take place empty the device out of water

- after the turn off, the elements of device may be warm

- after operating time of the device, please utilize it concerning the local norms and regulations

- it is recommended to clean the device periodically (at least once per month):

- heating coil blow with compressed air
- fan casing and blades clean from dirt

- for installation of the device in a room where is high dust concentration, the periodic cleaning should be performed much more often, not allowing the heat exchanger to 'clog'

- failure to comply with cleaning obligations may have a negative effect on technical parameters of the device and lead to loss of warranty

- if the device is not used for a longer time disconnect the power supply

- air stators of the device have to be open in at least 30% before first start:

• **standard version**- opening of air stators must be done by two hands in parallel



• **version with diffuser 360°** - air stators of diffuser 360° must be done by two hands to the outside



• **version with confusor** - the outlet do not have air stators which must be open

- using diffuser 360° or confusor causes decrease of device airflow of around 10% and consequently reduction of its heating capacity of about 5%

## 6. CONTROLS

Usage of automatic control dedicated to the air water heaters of Reventon Group gives great possibilities of adjusting the efficiency of the heater in different, depending on needs, degree of its operation automation. We can offer the following:

### 3-stage speed controller with thermostat HC-3S

is used to regulate devices equipped with 3-stage fans. It has a 3-stage speed control and built-in thermostat switches the device of automatically when the preset temperature is reached. In addition, the unit controls the operation of the actuators installed on the control valve.



Voltage/ Frequency: 230 V AC / 50 - 60 Hz  
Maximum current output: 3 A  
Temperature range: 10°C - 30°C  
Operating mode: continuous or thermostatic  
Control accuracy: <math>\lt; 1^\circ\text{C}</math>  
Dimensions: 130 x 85 x 40 mm  
Weight: 210 g  
Degree of casing's protection: IP 30

### Programmable controller HMI

is used to regulate devices equipped with 3-stage fans. It is an advanced controller with many functions i. a. operation in heating, cooling or mixed mode, programmable mode, valve control, automatic selection of the fan speed. Together with the controller an external sensor is provided, which allows to read the temperature in the required place, even remote from the controller. In addition, the device can be integrated with the BMS building control system (using the MODBUS communication protocol).



Voltage/ Frequency: 230 V AC / 50 - 60 Hz  
Maximum current: 5 A  
Operating temperature range: 0 - 45°C  
Regulation range: 5°C - 35°C  
Regulation accuracy:  $\pm 0.5^\circ\text{C}$   
External temperature sensor: NTC 10K  
Communication: RS485  
Dimensions: 86 x 86 x 13.3 mm  
Weight: 270 g  
Degree of protection (housing): IP 20  
Degree of protection (external sensor): IP 68

### Fan speed controller HC

designed to change the single-phase fan's speed voltage controlled in industrial supply and heating systems. It is available in several versions. The selection of the appropriate model depends on the number of the devices that have to be connected to the one regulator - the total intensity of the connected devices cannot exceed the maximum current flow of the regulator.



5 control levels: 80-105-135-170-230 V  
Voltage/ Frequency: 230 V AC / 50 - 60 Hz  
Maximum current output (depending on model):  
1.2 A, 3 A, 5 A, 7 A, 14 A  
Protection: thermal switch  
Weight (depending on model):  
1.45 kg, 2.5 kg, 4.5 kg, 5.5 kg or 10.5 kg  
Degree of protection: IP 54

### Two-way valve with actuator HC 3/4"

is used to automatically regulate the flow of the heating medium.



Voltage / Frequency: 230 V AC / 50 - 60 Hz  
Power consumption: 2 VA  
Kvs coefficient: 6.3 m<sup>3</sup>/h  
Stroke: 3 mm  
Operating condition of actuator: -5°C - 60°C  
Running time: 3 - 5 min  
Degree of protection: IP 54

### Three-way valve with actuator HC 3/4"

is used to automatically regulate the flow of the heating medium.



Power supply/ Frequency: 230 V AC / 50 – 60 Hz  
 Power consumption: 7 VA  
 Kvs coefficient: 6.5 m<sup>3</sup>/h  
 Operating condition of actuator: 0 - 60°C  
 Running time (motor): 18 s  
 Running time (return spring): 5 s  
 Degree of protection: IP 20

### Manual thermostat HC

controls operation of the heater. Switches the unit off automatically when the set temperature is reached.



Zasilanie / Częstotliwość: 230 V AC / 50 – 60 Hz  
 Maksymalne natężenie: 3 A  
 Zakres pracy: 0 - 40°C  
 Zakres regulacji: 10 - 30°C  
 Dokładność regulacji: < 1°C  
 Stopień ochrony obudowy: IP 30

### Relay Module RM-16A

allows to connect a receiver with higher current consumption than permissible current load of connected regulator.



Voltage/ Frequency: 230 V AC / 50 – 60 Hz  
 Maximum current: 16 A  
 Input: NO/COM  
 Input: SL Connection of a regulator with the voltage relay 230 V  
 Dimension: 47 x 47 x 20 mm

### COOPERATION OF CONTROLLERS WITH EQUIPEMENT

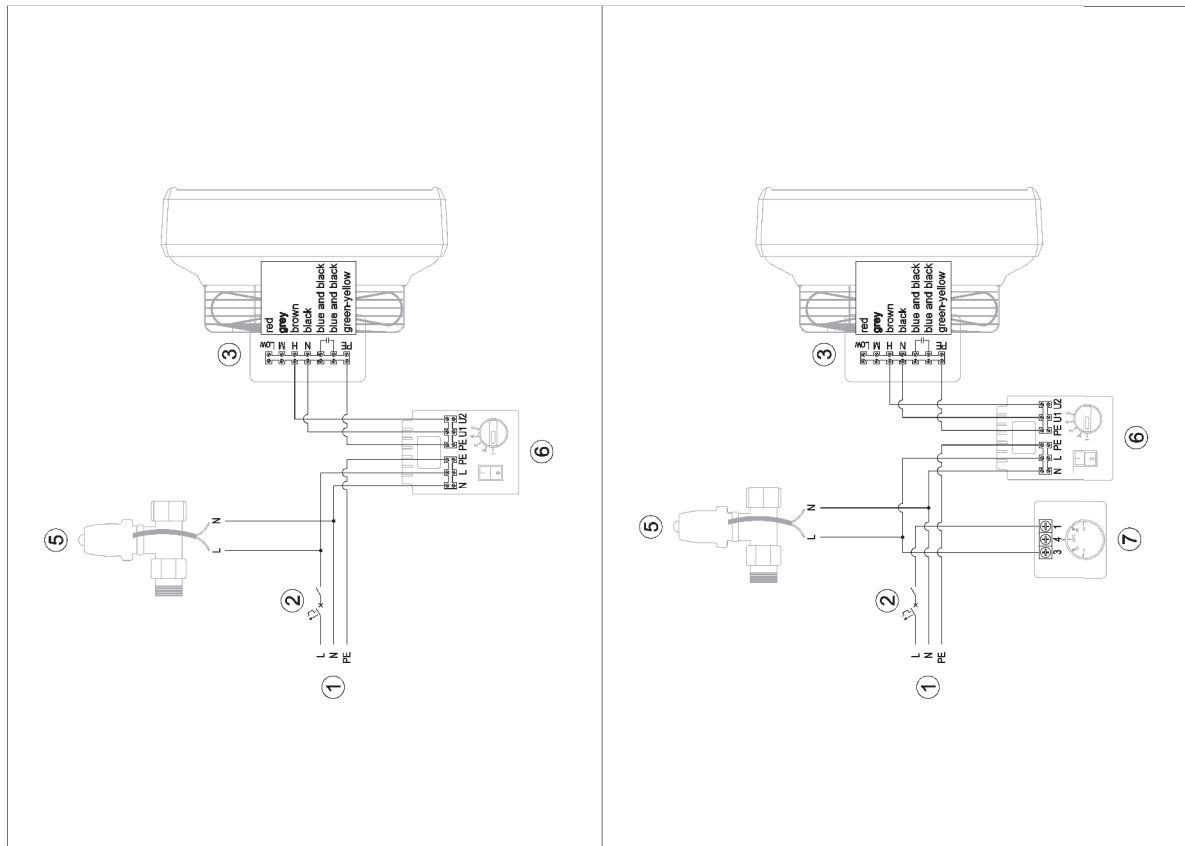
	HC3S	HMI	HC 1.2A	HC 3 A	HC 5 A	HC 7 A	HC 14 A	RM- 16 A
HCF IP54-3S	2	4	1	2	4	6	12	14
HCF IP65	-	-	-	1	2	3	7	8

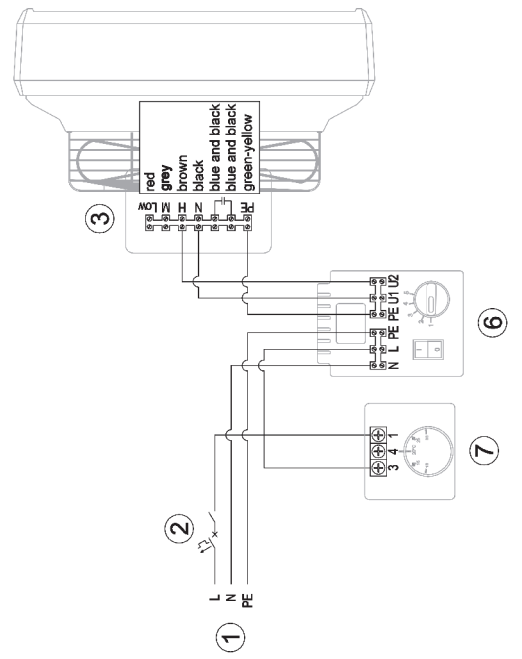
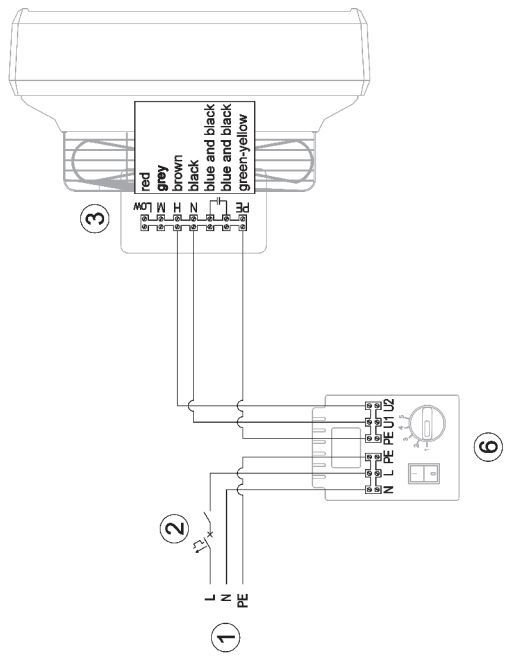
### 7. CONNECTION SCHEMES

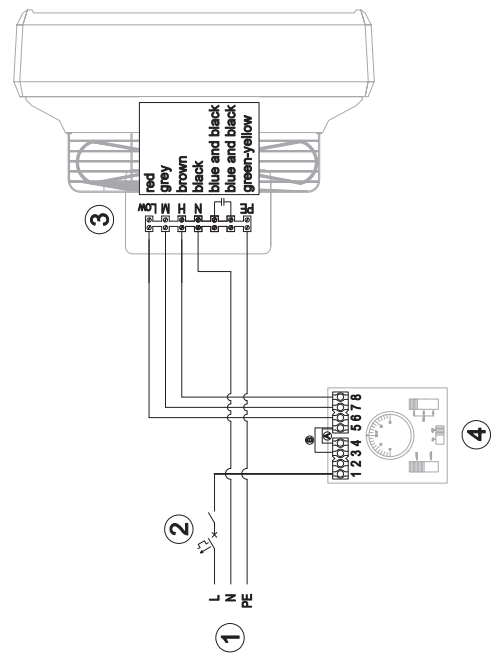
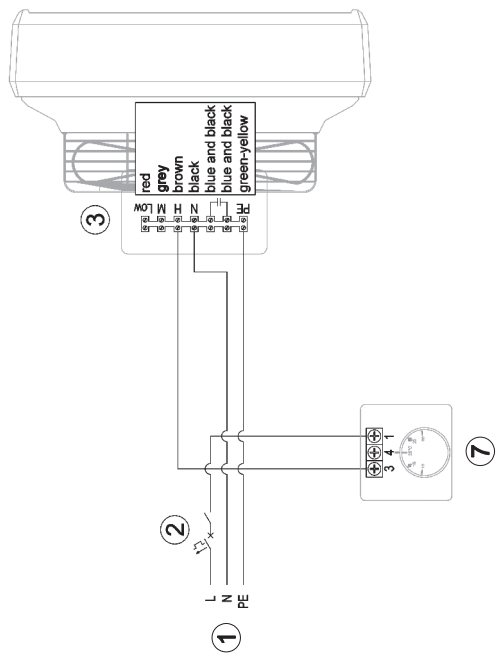
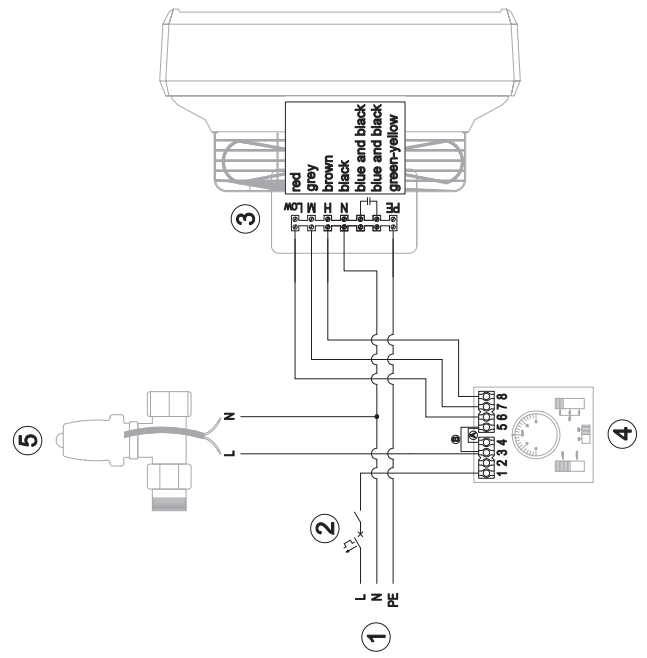
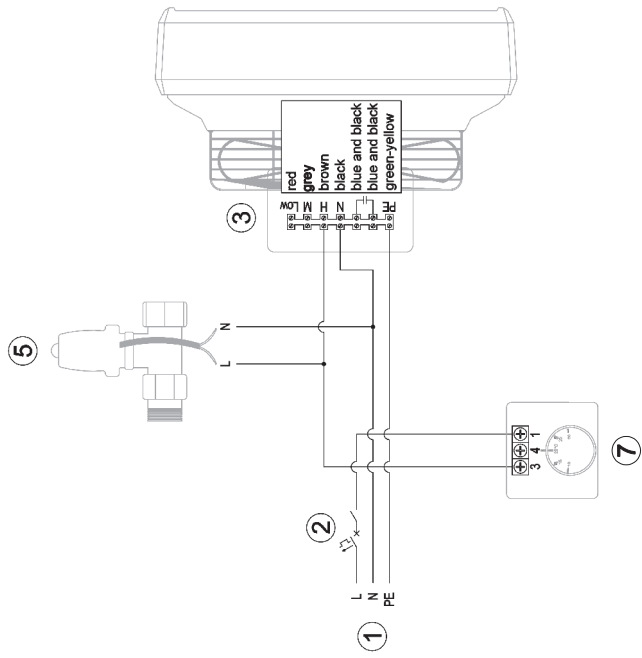
#### LEGEND:

1. Power
2. Main switch, overcurrent circuit breaker\*
3. Air water heater FARMER HCF IP54-3S
4. 3-stage speed controllers with thermostat  
 A-work in continuous mode  
 B-operation in thermostatic mode
5. Valve with actuator HC 3/4"
6. Fan speed controller HC
7. Manual thermostat HC
8. Programmable controller HMI
9. Relay module RM-16A
10. External temperature sensor
11. Air water heater FARMER HCF IP65

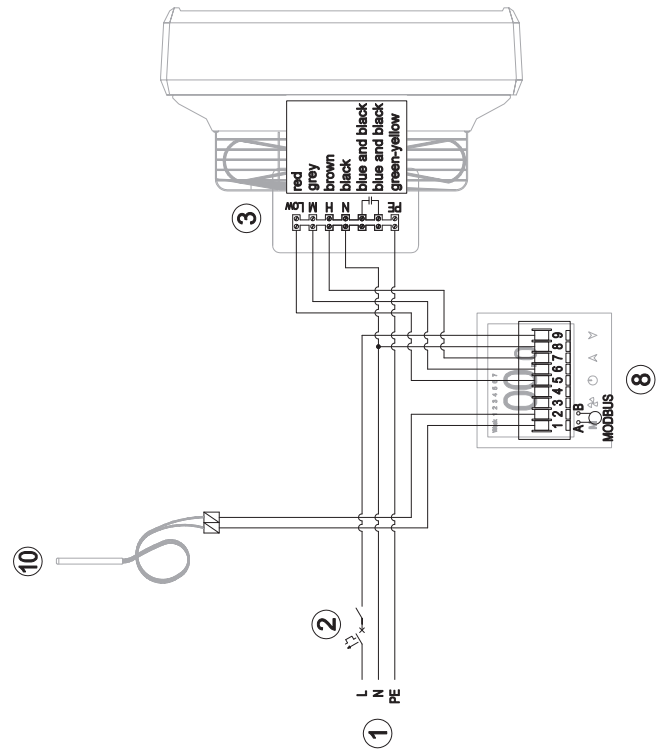
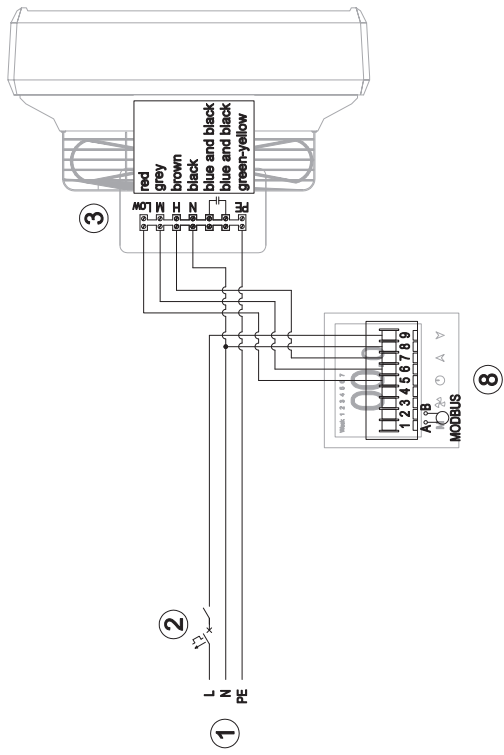
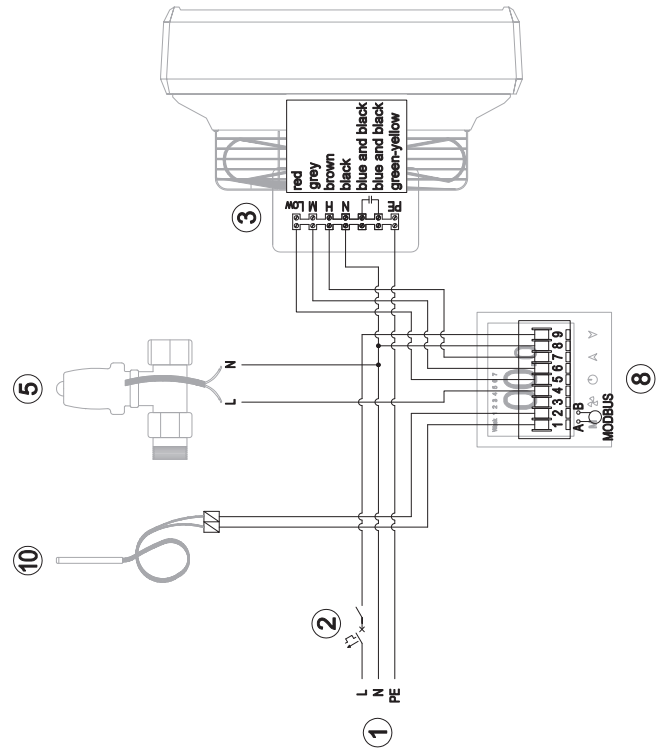
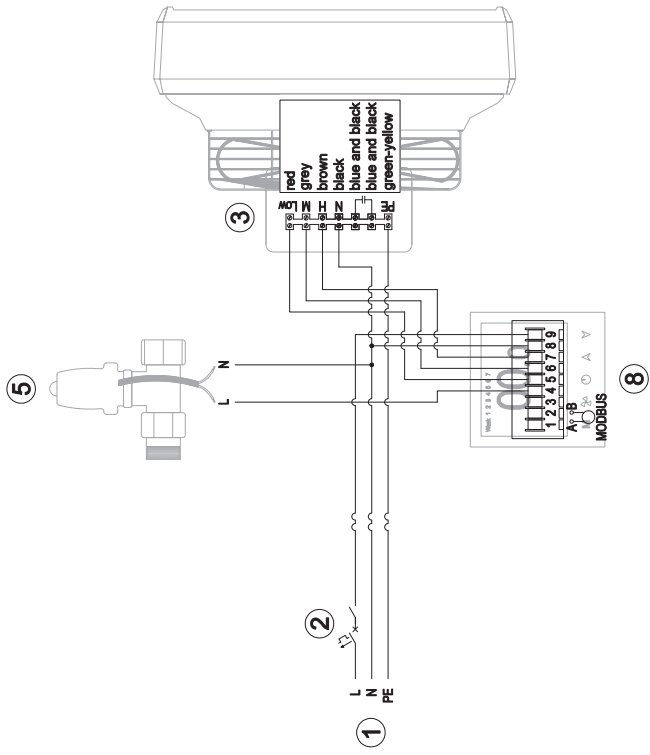
\* main switch and safety fuses are not included in the set

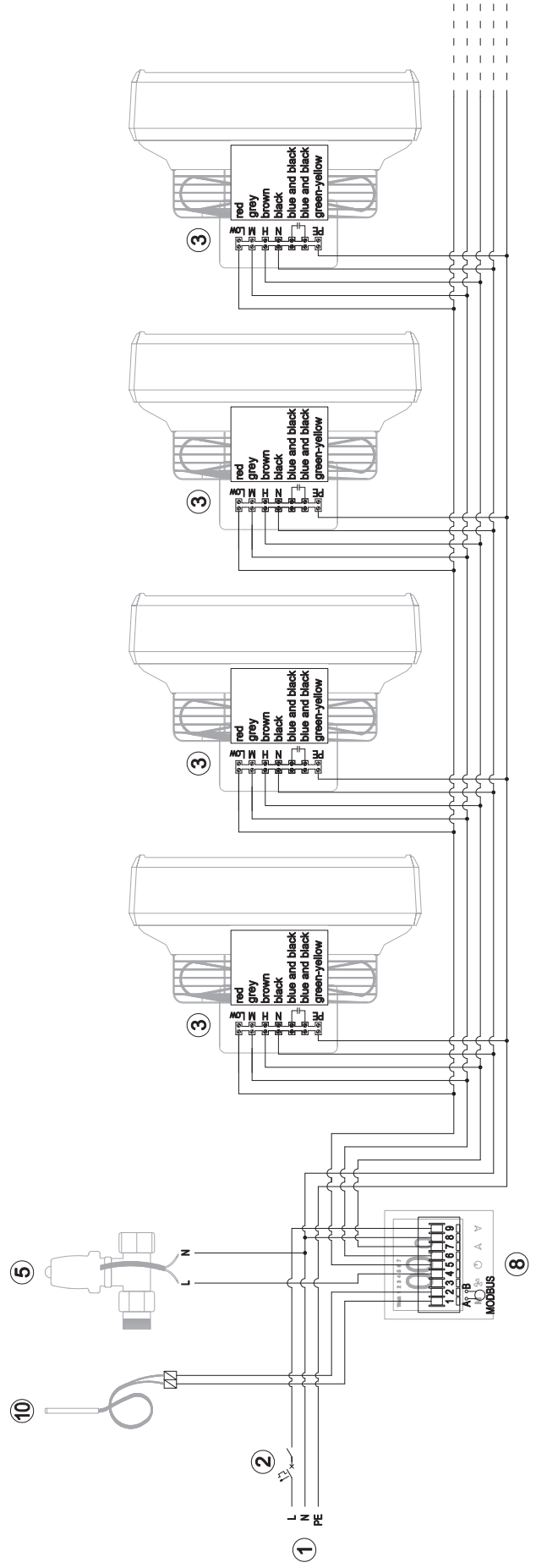
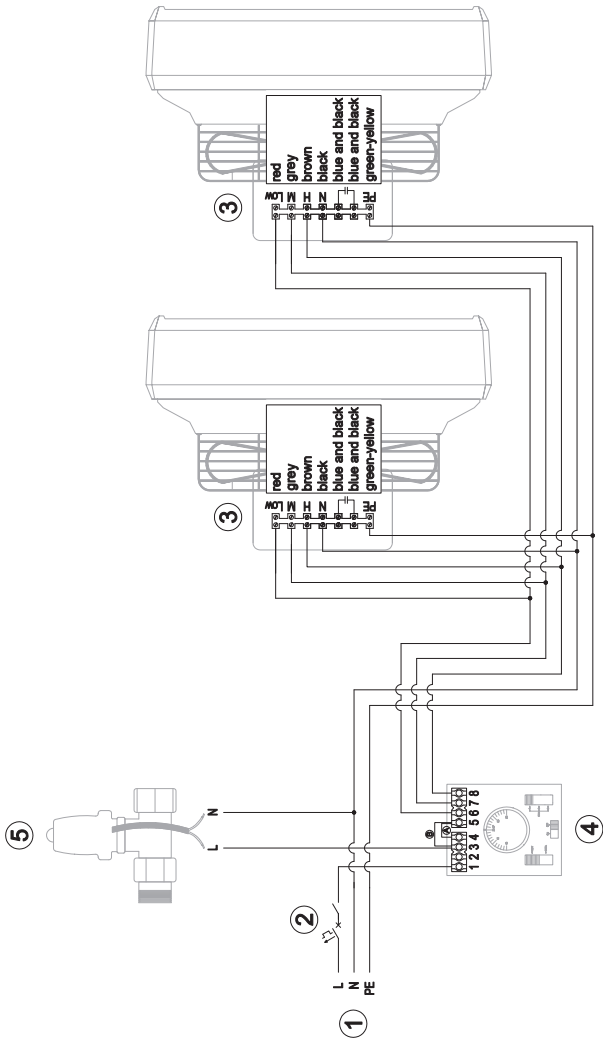


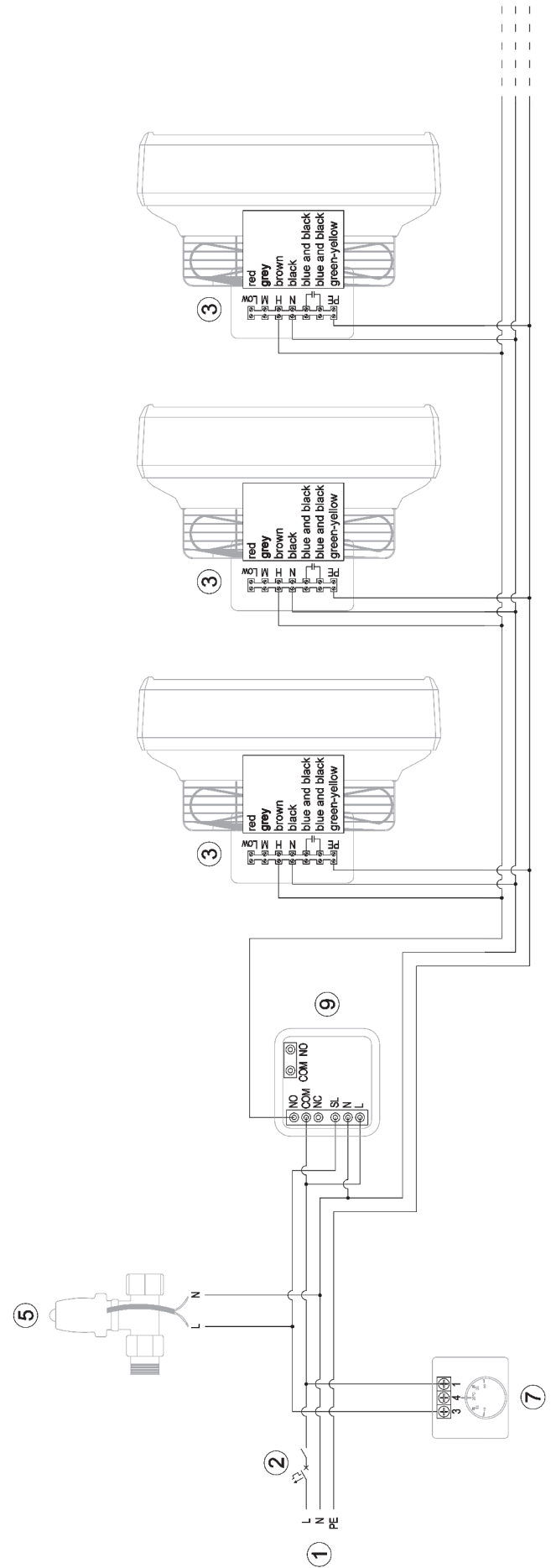
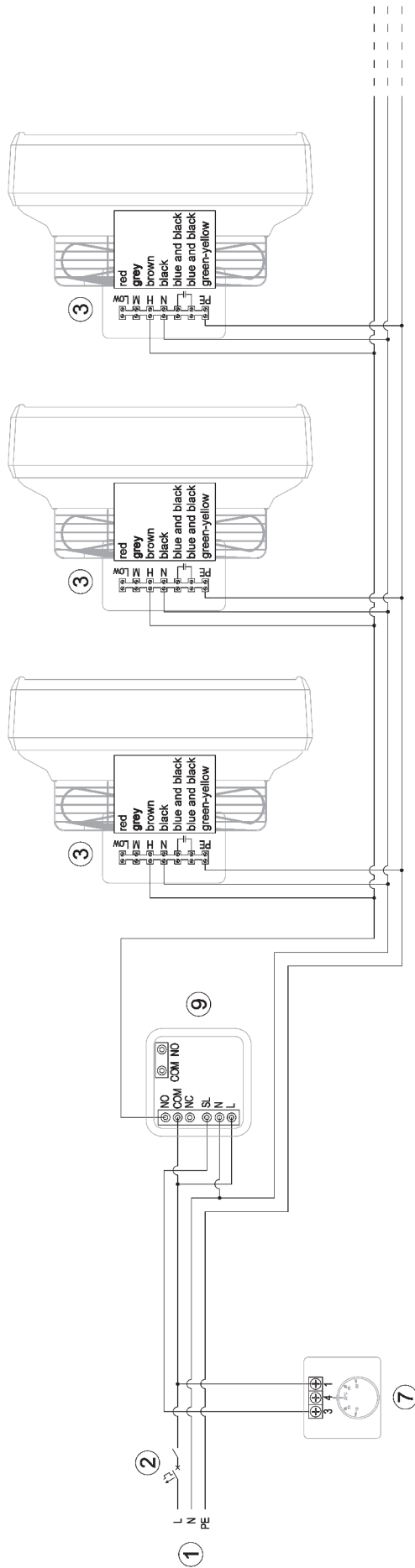


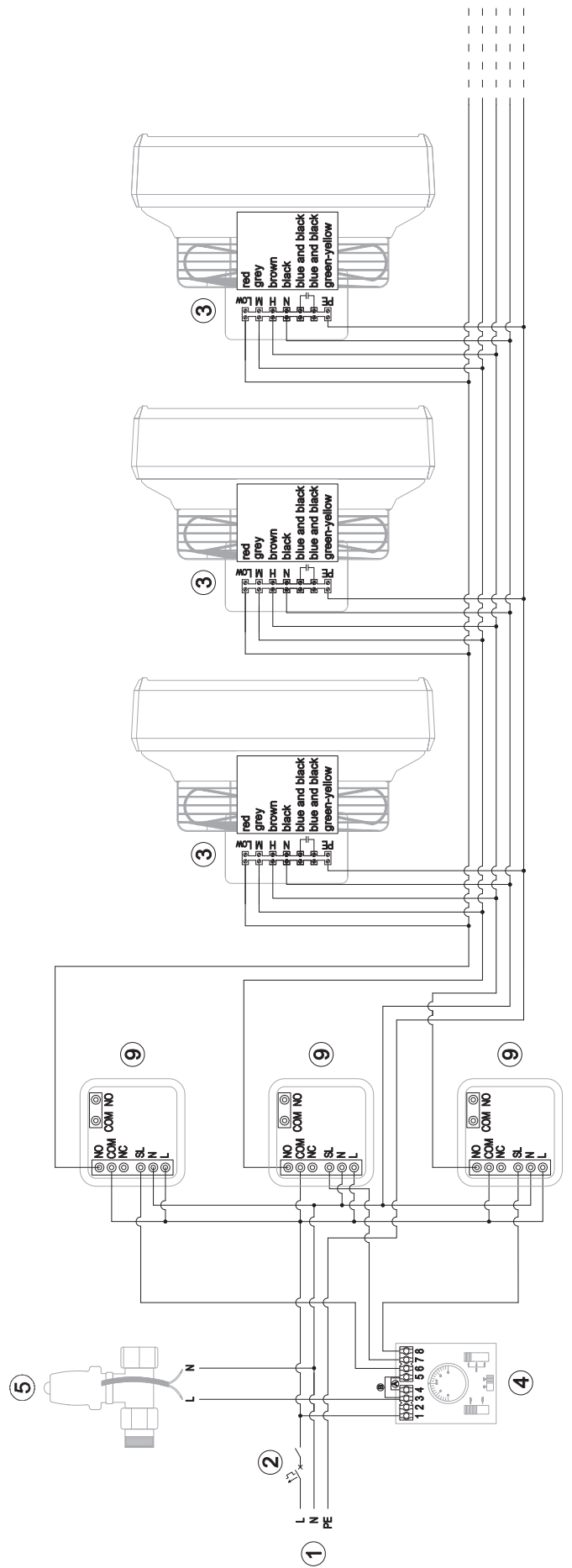
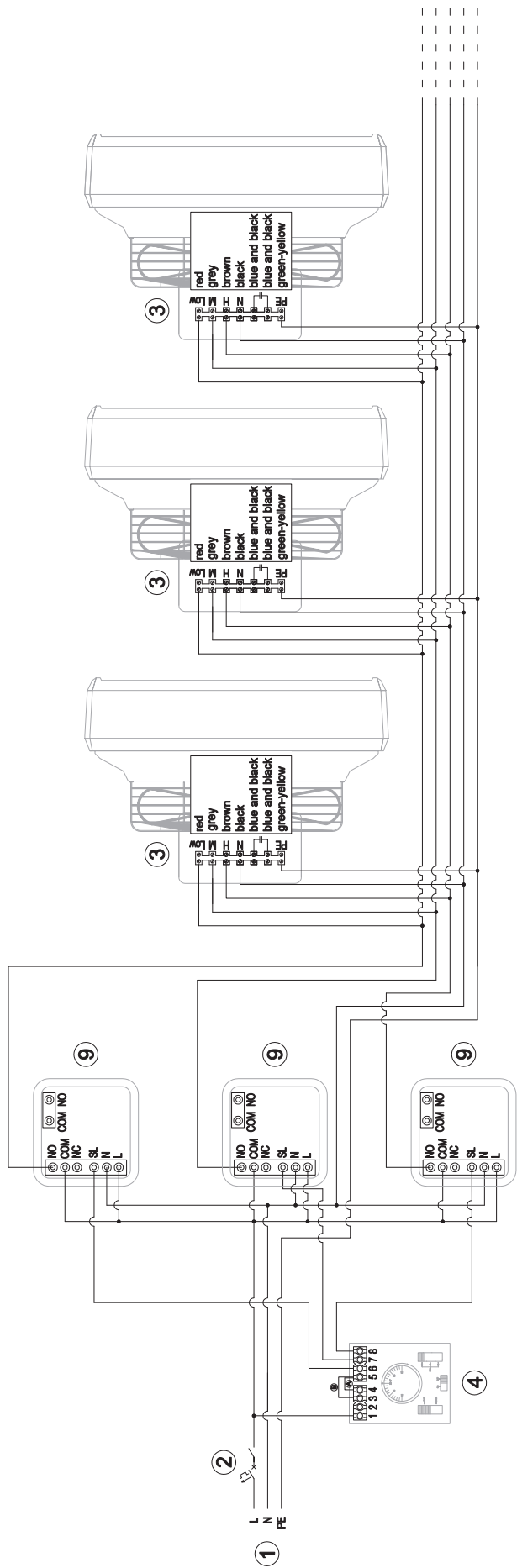


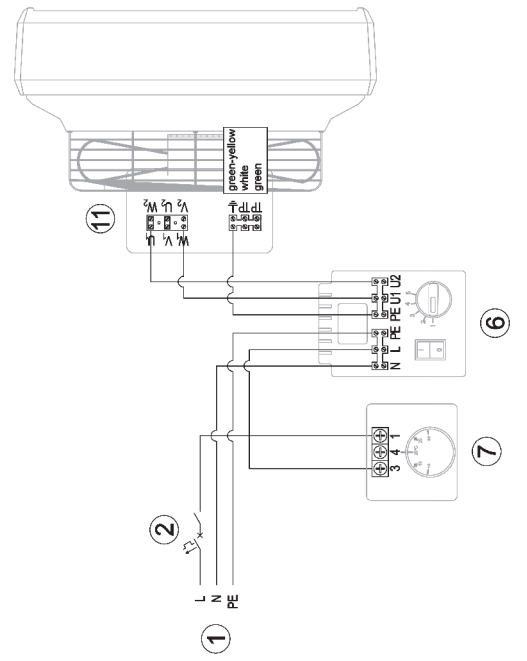
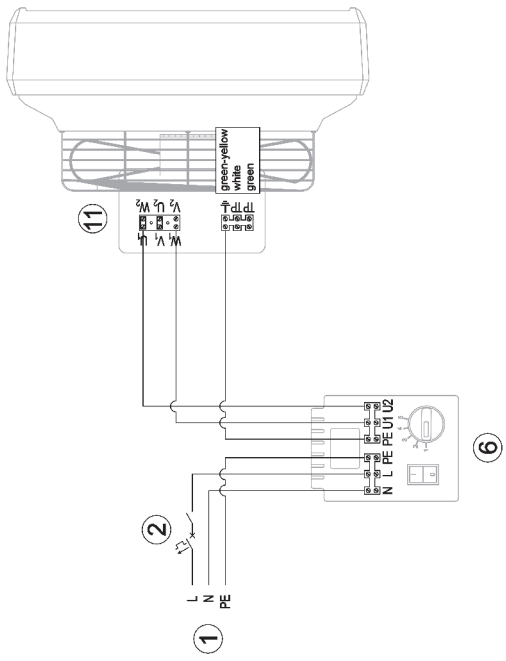
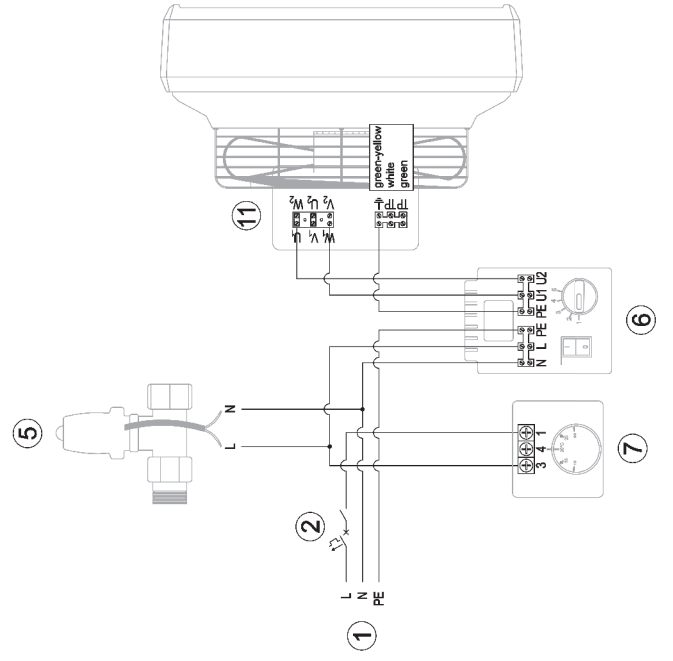
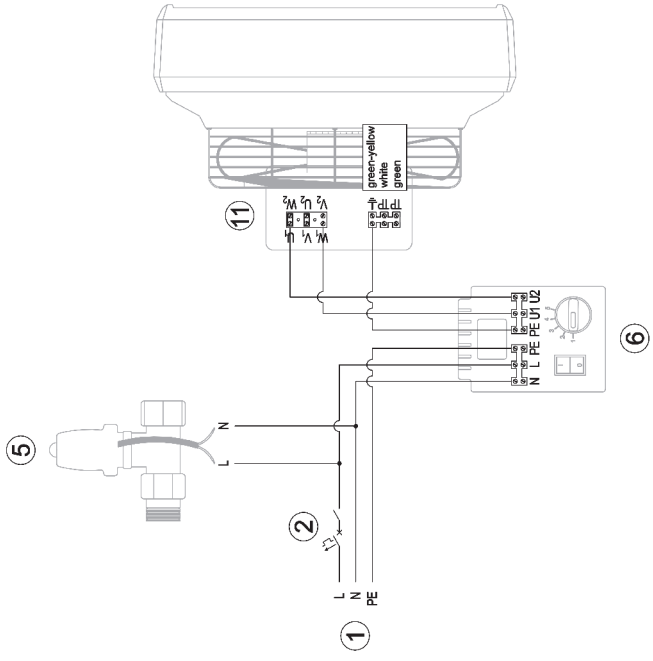




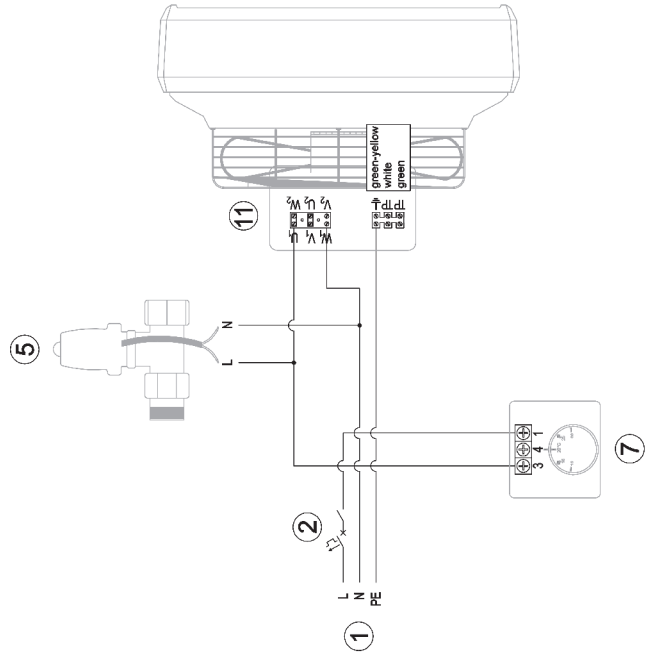
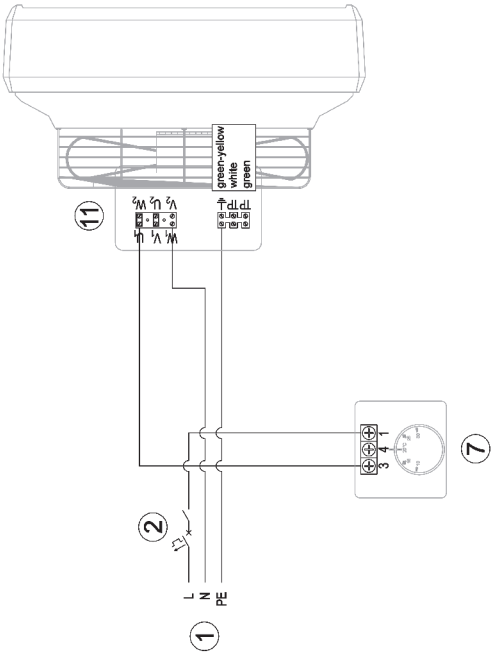












## 8. TERMS OF WARRANTY

I. Producer Reventon Group Sp. z o.o. [Ltd.] grants the buyer a 24-month warranty period for the following devices:

- air water heater FARMER HCF IP54-3S
- air water heater FARMER HCF IP65

II. The terms of warranty are valid from purchasing the device (i.e. invoice / another confirming document issue date) but not longer than 30 months from leaving the producer's warehouse.

III. To obtain the service it is needed to provide or send to the producer scans of the warranty card with stamp of installation company, document confirming the purchase (eg. like copy of the invoice) and correctly filled the warranty form.

IV. The producer is committed to consider the claim within 14 working days since the date of reporting (i. e. day when documents given in point III are provided).

V. In the exceptional cases, the producer reserves the right to extend the time limit for examination of warranty, especially if the defect is not permanent and its determination requires a longer period of time. The extension must be notified by the producer before the end of the 14th working day.

VI. Under the guarantee the producer provides a repairment, replacement or refund for the defective device within a specified time limit.

VII. Warranty does not cover the parts of the device subject to normal maintenance and the following cases:

a) mechanical damage of the product

b) defects and damages through:

- improper storage or transport
- improper or non-compliant use and maintenance (i. e. inconsistent with the manual)
- using the device in the improper conditions (too high humidity, too high or too low temperature, impact of the surrounding, sun etc.)
- unauthorized (by the user or other unauthorized persons) repairs, modifications or construction changes
- connecting equipment inconsistent with the technical documentation
- connecting additional equipment, which is not recommended by the producer
- improper power supply

c) elements which wear and tear such as discolor of the housing

If there is any of the above, claimant will be charged for transport and / or repairs.

VIII. Any changes in the Warranty Terms, improper use of the product (careless handling, exposure to liquids, moisture, corrosion), as well as traces of selfrepairing (non by the Reventon Group) or alterations cause, the warranty is not valid.

IX. Not following to any of warranty regulations makes the warranty not valid.

X. All correspondence, returns, complains should be send to the following address: Reventon Group Sp. z o.o. [Ltd.], 556 Wyzwolenia Street, 43-340 Kozy, Poland or email address: [serwis@reventongroup.eu](mailto:serwis@reventongroup.eu).

**The producer reserves the rights to make changes to the technical documentation without previous notice.**



## Warranty card

Factory number of the device:	Address and place of assembly:
Stamp and signature of the installation company:	

## Warranty form

The company reporting the complaint:	Date of assembly:	Address and place of assembly the device:
The company installing the device:	Date and circumstances of noticing the defect:	
	Factory number of the device:	Date of declaration the complaint:
Description of the defect:		
Contact Name and Surname, telephone number/ e-mail address:		

## Service card

Date of declaration the complaint:	Description of the repair:	Service stamp:
Date of repair:		



**reventon**  
INDUSTRIAL SOLUTIONS

Reventon Group Sp. z o.o. [Ltd.], 556 Wyzwolenia Street, 43-340 Kozy, Poland, [www.reventongroup.eu](http://www.reventongroup.eu)